

# ***Tenveo***

Video conference camera



TEVO-D series Manual  
English Version V4.8

## 1 Safety guides

Before operation, please fully read and follow all instructions in the manual.

a Do not disassemble the camera. For any service, please contact authorized technicians.

b Do not direct the camera lens towards strong light, such as the sun or the intensive light.

c Use a dry soft cloth to clean the camera housing. Applied with neutral cleaning agent when need clean. To avoid damage on the camera lens, never use strong or abrasive cleaning agents on the camera housing.

d Avoid stress, vibration and damp during transportation, storage and installation.

e Do not move the camera by holding the camera head. To avoid mechanical trouble, do not rotate the camera head by hand.

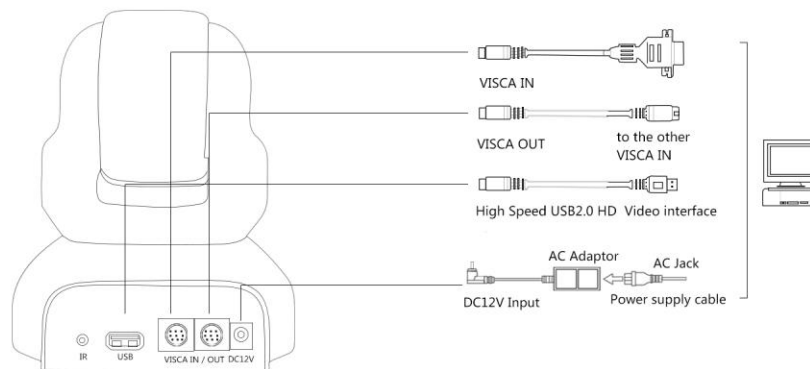
Note: The video quality may be affected by the specific frequencies of electromagnetic filed.

## 2 Tenveo- What's in the box?

• Camera • DC 12V/2A Power Adaptor Cable • 5m USB2.0 Cable • Remote Controller • User Manual • Installation brackets & screws • Guarantee Card

## 3 Quick start

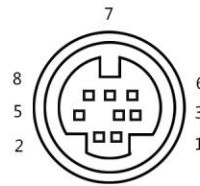
Check all cable connections before power on



a VISCA RS232 IN PORT:

No	Function
1	DTR IN
2	DSR IN
3	TXD IN
4	GND
5	RXD IN
6	GND
7	IR Commander Signal OUTPUT
8	NO Connection

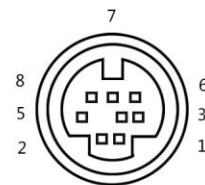
VISCA RS-232C IN



b VISCA (RS232) OUT PORT:

No	Function	
	232 control	485 control
1	DTR OUT	TX+
2	DSR OUT	TX-
3	TXD OUT	
4	GND	
5	RXD OUT	
6	GND	
7		RS-485-
8		RS-485+

VISCA RS-232C OUT



c Power interface: Use power supply for video conferencing camera only

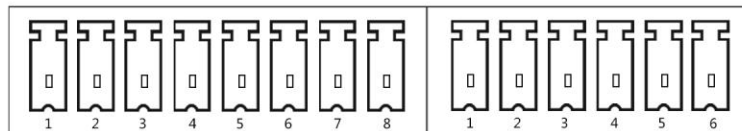
d IR: Infrared receiving port

e USB: USB PLUG & PLAY

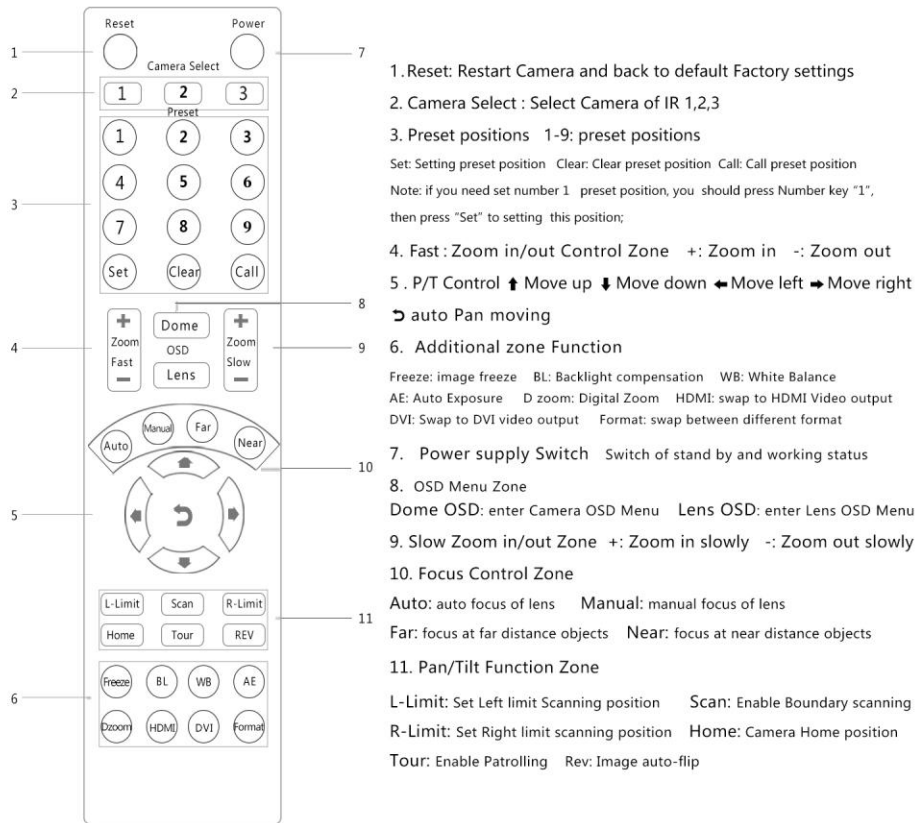
4 Dial Switch setting (at the bottom of the camera)

SW1

SW2



## 5. IR Transfer (IR pass)



6. Tenveo copyrights this manual. No part of this manual may be reproduced in any form or means, without the prior written consent of Tenveo. This manual is preliminary and is subject to change at any time without notice. Tenveo assumes no responsibility for any errors contained herein.